

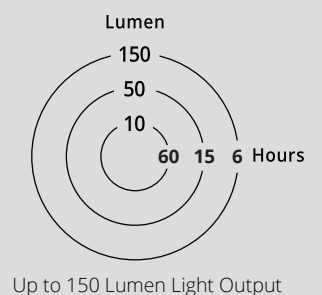


The **JouLiteKIT1** is a solar lamp and charger that contains a **JouLite**, LEC30 Solar Panel and a BottleStand and 1 Phone Charge Cables. The **JouLite** can be used as a torchlight, hanging lamp, and a mobile phone charger, and at home you can insert it into the bottle Stand and use it as a study lamp. The LEC30-5V PV Solar Panel can harvest the new energy from the sun and refill your JouLite back to full in one day after its usage.

The BottleStand can be inserted in most common type of plastic PET water Bottles or Glass Bottles (the Bottle is not included in the package!). We recommend to fill the bottle with sand or small stones so that it can provide good stability when used as study lamp.

### Product HighLights

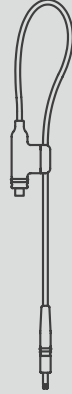
- The **JouLite** contains 30kj of energy
- Fully charges a smart phone or 2 low feature phones
- Up to 60 hours on a full charge (Lowest light output)
- Recharged via the 5V LEC30 Solar Panel or via a USB charging cable
- Splash-Waterproof and is suitable for outdoor usage even in the rain
- Electrical contacts are completely sealed and no water can leak through the contacts to the inside of the lamp that houses the battery and electronic circuit.



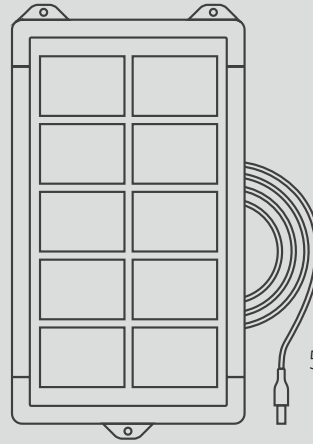
Please note: We recommend to always insert the Phone-Charge-Cable into the lamp so that it forms a double protection against water reaching the connectors when used in the rain.



1x JouLite150



1x Phone Charge Cable



1x LEC30 (PV Solar Panel)

5m Cable



1x BottleStand

### Item Quantities in each kit

JouLite150	1
LEC30 30 kj/d solar panel	1
Phone Charge Cable	1
Bottle Stand	1

### Retail Box Dimensions

Length (cm)	14.5
Width (cm)	7.0
Height (cm)	27.6
Volume (liter)	2.8
Mass (kg)	0.72

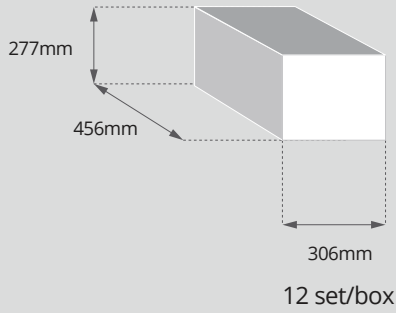
### Master Box Dimensions

Quantity per Master Box	12
Length (cm)	45.6
Width (cm)	27.7
Height (cm)	30.6
Volume (liter)	39
Mass (kg)	8.64

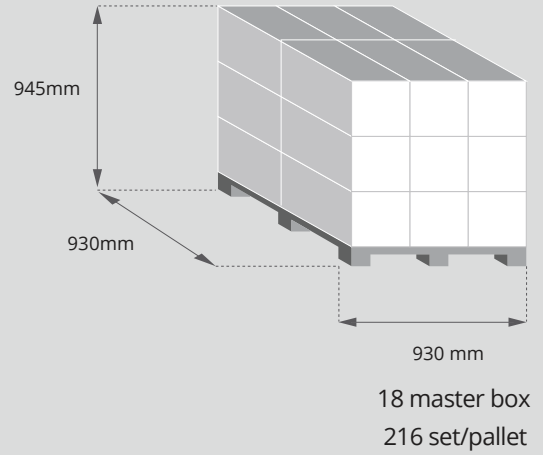
### Pallet Dimensions

Master Box Quantity per Pallet	18
Lightkit Quantity per Pallet	216
Length (cm)	93.0
Width (cm)	93.0
Height (cm)	94.5
Volume (m3)	0.82
Mass (kg)	155.6

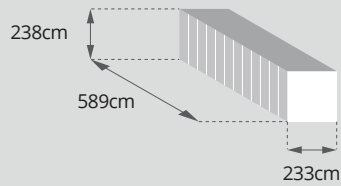
### Master Box



### Pallet



### Quantities per Container



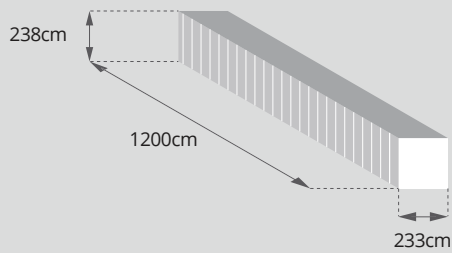
#### 20 feet

##### with pallet

Retail Box	5184
Master Box	432
Pallet	24

##### without pallet

Retail Box	8640
Master Box	720



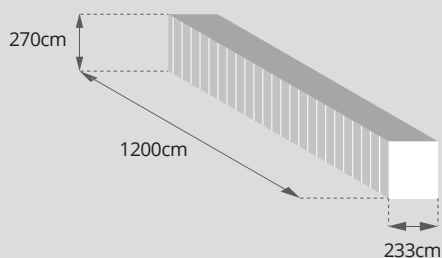
#### 40 feet

##### with pallet

Retail Box	10368
Master Box	864
Pallet	48

##### without pallet

Retail Box	18240
Master Box	1520



#### 40 feet High Cubic

##### with pallet

Retail Box	10368
Master Box	864
Pallet	48

##### without pallet

Retail Box	20520
Master Box	1710